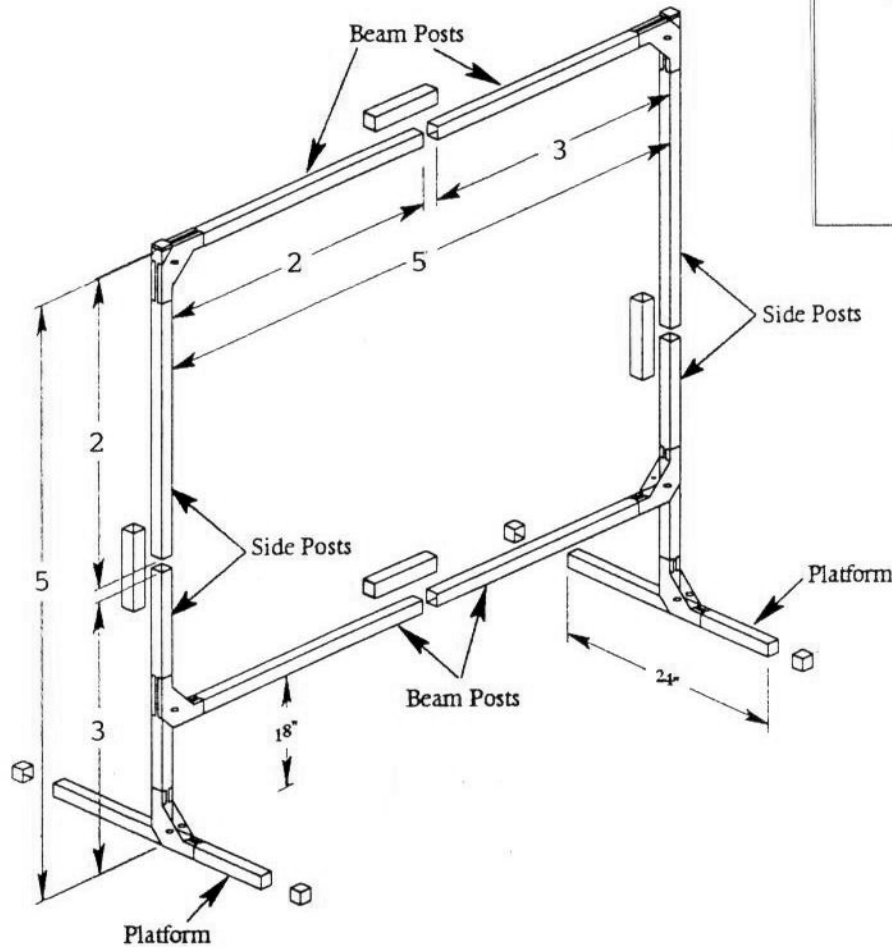
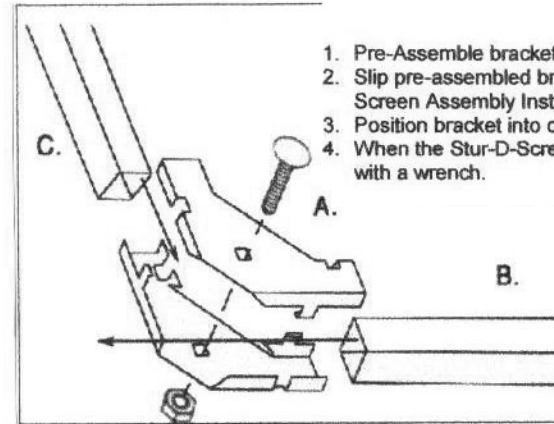


# Wilson Stur-D-Screen Assembly Instructions

New Bracket Design

Instructions:

1. Pre-Assemble bracket with nut and bolt; do not tighten
2. Slip pre-assembled bracket over tubing as indicated in attached Stur-D-Screen Assembly Instructions sheet.
3. Position bracket into correct position and hand tighten bolt.
4. When the Stur-D-Screen frame is completely assembled, tighten all bolts with a wrench.



## Single Panel

**Part No. R1055-**

Parts List	Size	Qty	Pkd	Rcvd
Curtain	4 x 5	1		
Beam Post	2'	2		
Beam Post	3'	2		
Side Post	2'	2		
Side Post	3'	2		
Platform	2'	2		
Corner Brackets		6		
End Caps		2		
Platform Caps		4		
Splicers		4		
Ties		15		