

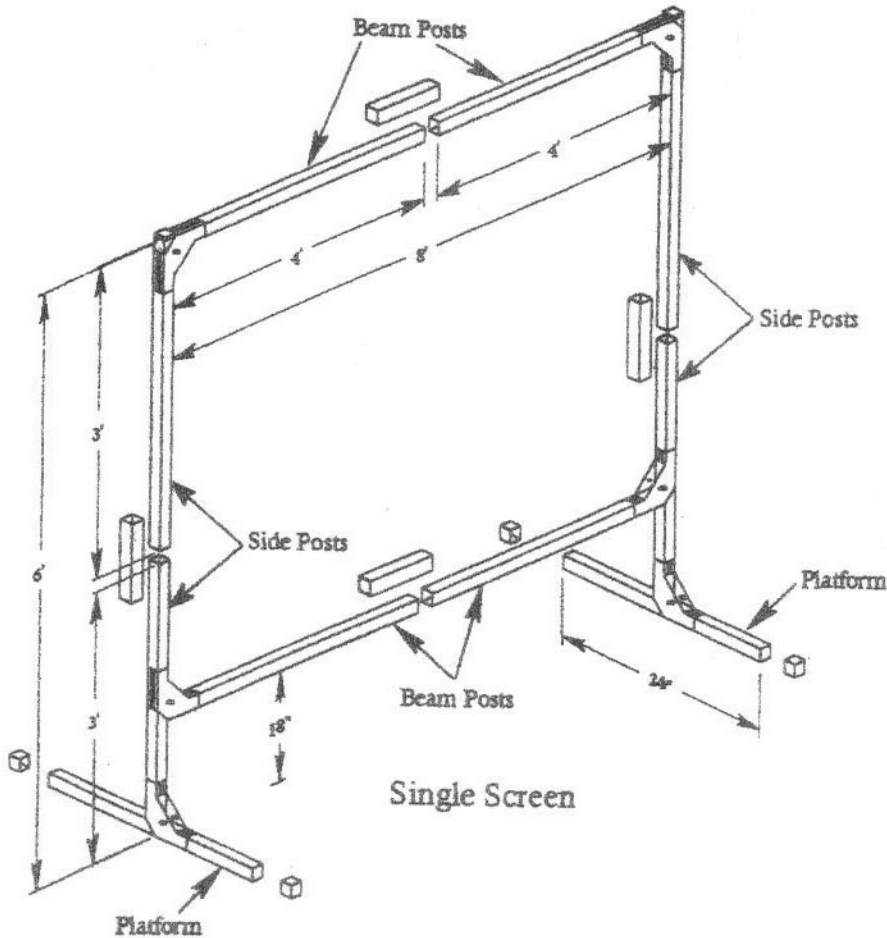
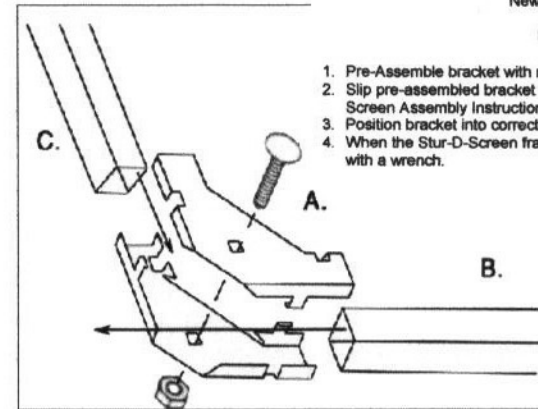
Wilson Stur-D-Screen Assembly Instructions

STUR-D-SCREEN

New Bracket Design

Instructions:

1. Pre-Assemble bracket with nut and bolt; do not tighten
2. Slip pre-assembled bracket over tubing as indicated in attached Stur-D-Screen Assembly Instructions sheet.
3. Position bracket into correct position and hand tighten bolt.
4. When the Stur-D-Screen frame is completely assembled, tighten all bolts with a wrench.



Single Panel

Part No. R1068-00

Parts List	Size	Qty	Pkd	Rcvd
Curtain	5' x 8'	1		
Beam Post	4'	4		
Side Post	3'	4		
Platform	2'	2		
Corner Brackets		6		
End Caps		2		
Platform Caps		4		
Splicers		4		
Ties		22		