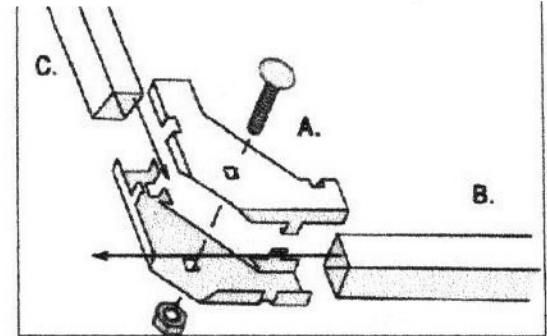
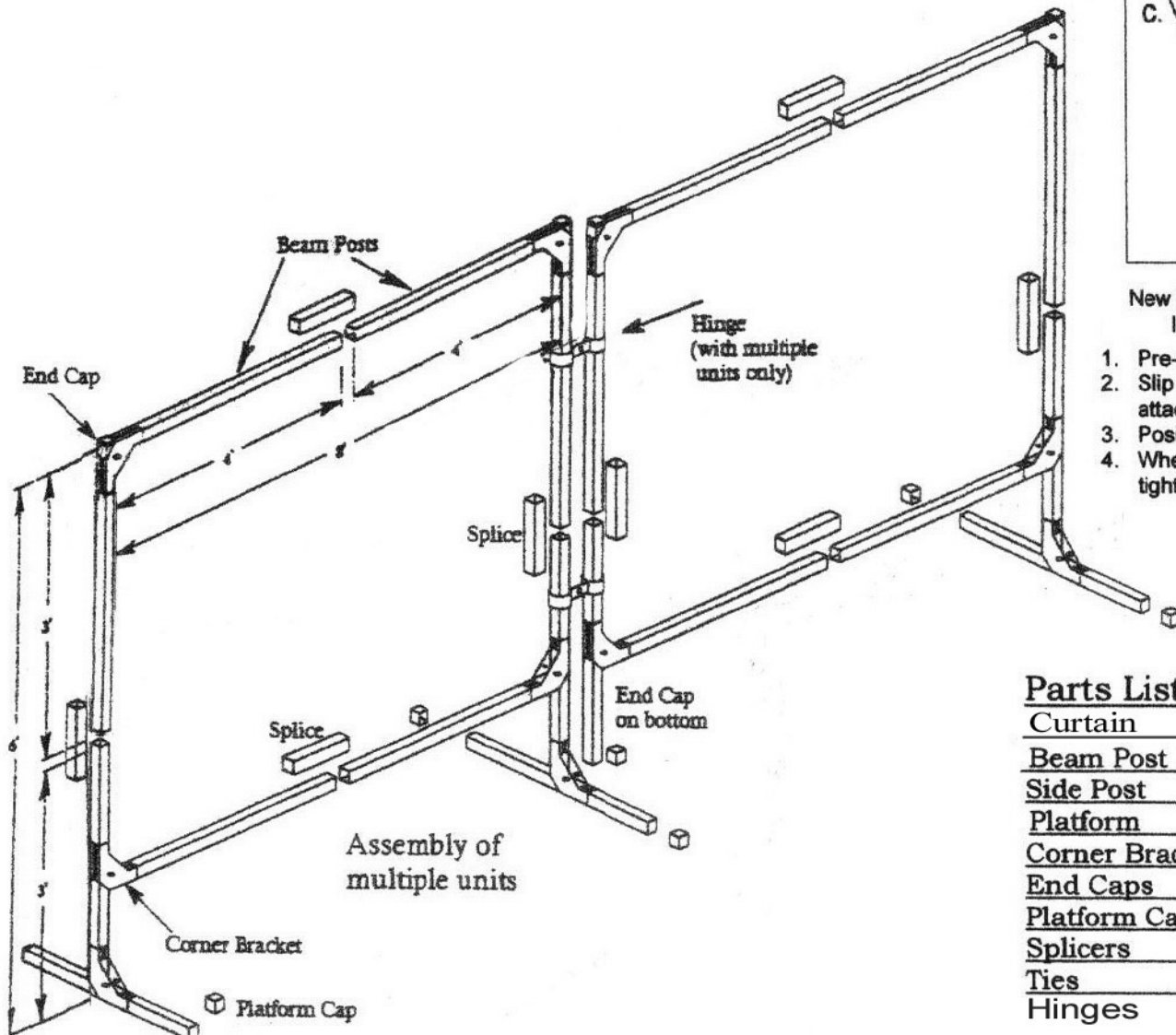


Wilson Stur-D-Screen Assembly Instructions



New Bracket Design Instructions:

1. Pre-Assemble bracket with nut and bolt; do not tighten
2. Slip pre-assembled bracket over tubing as indicated in attached Stur-D-Screen Assembly Instructions sheet.
3. Position bracket into correct position and hand tighten bolt.
4. When the Stur-D-Screen frame is completely assembled, tighten all bolts with a wrench.

Three Panel Part No. R3064-

Parts List	Size	Qty	Pkd	Rcvd
Curtain	5'H x 13' W	1		
Beam Post	4'	6		
Side Post	3'	12		
Platform	2'	4		
Corner Brackets		16		
End Caps		8		
Platform Caps		8		
Splicers		6		
Ties		27		
Hinges		4		

Wilson Industries, Inc. 123 Explorer St., Pomona, Ca. 91768 Tel: (909) 468-3636 Fax: (909) 468-3640
 web site www.wilsonindustries.com e-mail Info@wilsonindustries.com